

PLEASE CHECK WWW.MOLEX.COM FOR LATEST PART INFORMATION

Part Number: [0457190006](#)
Status: **Active**
Overview: edge card connectors
Description: 12.90mm (.508") Pitch EXTreme PowerEdge™, Connector, 4 Segments (8 Total Contacts), Through Hole Solder for 2.36mm (.093") Thick PC Board, Mates to a 1.57mm (.062") Thick Card Edge or Bus Bar Tab

Documents:

[3D Model](#) [Product Specification PS-45719-001 \(PDF\)](#)
[Drawing \(PDF\)](#) [RoHS Certificate of Compliance \(PDF\)](#)

Agency Certification

CSA LR19980
TUV R72090228

General

Product Family Edge Card Connectors
Series [45719](#)
Component Type Edgecard to PCB
Overview [edge_card_connectors](#)
Product Name Bus Bar Socket, EXTreme PowerEdge™

Physical

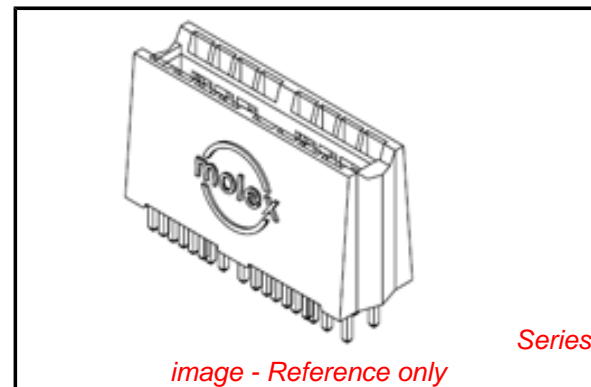
Circuits (Loaded) 8
Circuits (maximum) 8
Circuits Detail All Power
Color - Resin Black
Durability (mating cycles max) 200
Entry Angle Vertical (Top Entry)
Flammability 94V-0
Keying to Mating Part N/A
Material - Metal High Performance Alloy (HPA)
Material - Plating Mating Gold
Material - Plating Termination Tin
Material - Resin High Temperature Thermoplastic
PC Tail Length (in) 0.143 In
PC Tail Length (mm) 3.63 mm
PCB Thickness Recommended (in) 0.093 In
PCB Thickness Recommended (mm) 2.40 mm
Packaging Type Tray
Pitch - Mating Interface (in) 0.508 In
Pitch - Mating Interface (mm) 12.90 mm
Plating min: Mating (µin) 30
Plating min: Mating (µm) 0.75
Plating min: Termination (µin) 150
Plating min: Termination (µm) 3.75
Temperature Range - Operating -40°C to +105°C
Termination Interface: Style Through Hole

Electrical

Current - Maximum per Contact 40A
Voltage - Maximum 250V

Solder Process Data

Duration at Max. Process Temperature (seconds) 5
Lead-free Process Capability Wave Capable (TH only)
Max. Cycles at Max. Process Temperature 1



EU RoHS

**ELV and RoHS
Compliant**
REACH SVHC
Not Reviewed
**Halogen-Free
Status**
Not Reviewed

China RoHS



**Need more information on product
environmental compliance?**

Email productcompliance@molex.com
For a multiple part number RoHS Certificate of Compliance, [click here](#)

Please visit the [Contact Us](#) section for any non-product compliance questions.

Search Parts in this Series

[45719Series](#)

Mates With

1.58mm (.062") double sided card edge or bus bar tab

Process Temperature max. C 250

Material Info

Reference - Drawing Numbers

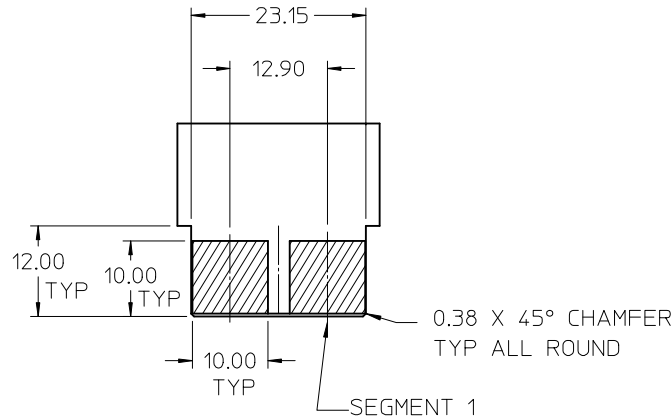
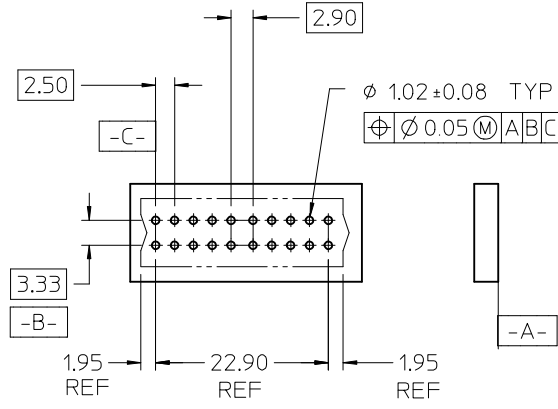
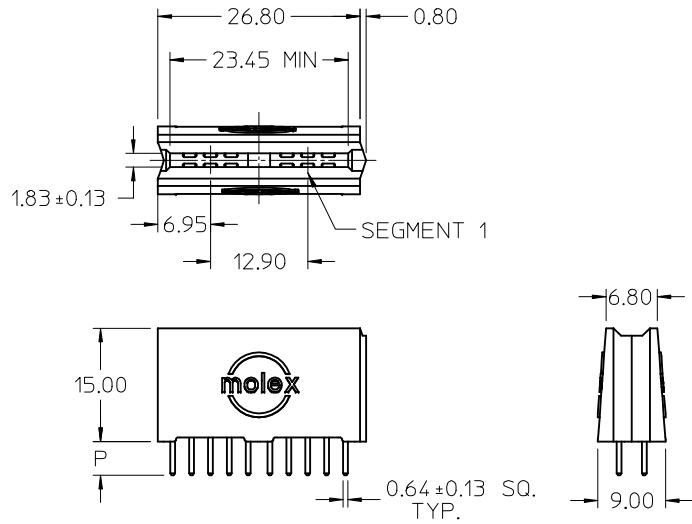
Packaging Specification	PK-45714-001
Product Specification	PS-45719-001
Sales Drawing	SD-45719-001

This document was generated on 06/04/2010

PLEASE CHECK WWW.MOLEX.COM FOR LATEST PART INFORMATION

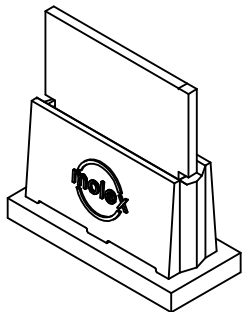
NOTES:

- HOUSING MATL: LCP, UL94V-0, COLOR BLACK
TERMINAL MATL: COPPER ALLOY
- FINISH: SELECT GOLD: 30 M.I. MIN IN CONTACT AREA
SELECT TIN: 150 M.I. MIN IN SOLDER AREA
OVERALL NICKEL UNDERPLATE.
- PRODUCT SPECIFICATION: PS-45719-001.
- PACKAGING SPECIFICATION: PK-45714-001.
- PCB THICKNESS: SEE CHART
- EDGE CARD THICKNESS: 1.57±0.15
- DIMENSIONS GIVEN ACROSS CENTERLINES ARE SYMMETRICAL ABOUT THOSE CENTERLINES WITHIN HALF TOTAL TOLERANCE.
- VOIDED SEGMENTS DO NOT HAVE TERMINALS IN THE TOP OR BOTTOM ROW



RECOMMENDED EDGE CARD LAYOUT
TOLERANCE: ±0.05

MATERIAL NUMBER	VOIDED SEGMENT	P	PCB THK
45719-0001	NONE	4.50	3.18
45719-2001	1		
45719-2002	2	3.63	2.36
45719-0004	NONE		
45719-2003	1	2.92	1.57
45719-2004	2		
45719-0007	NONE	2.92	1.57
45719-2005	1		
45719-2006	2		

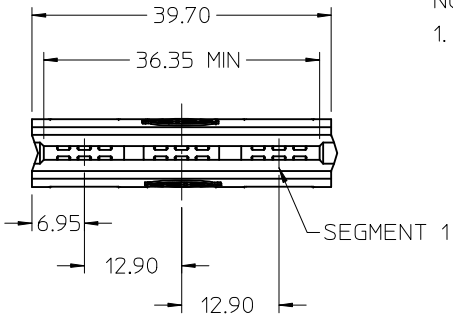


ADD PIN DIM & TOL EC NO: UCP2009-2476 DRWN: JSCHAFFER 2009/04/07 CHKD: 2009/04/07 APPR: APATEL 2009/04/20	DESCRIPTION
	REV
	E1

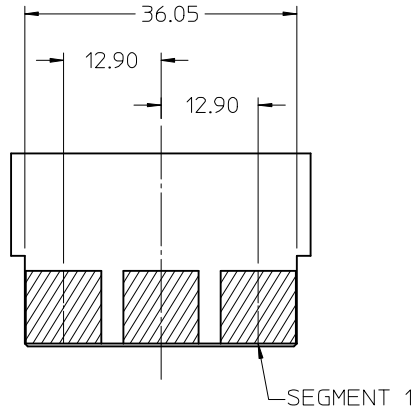
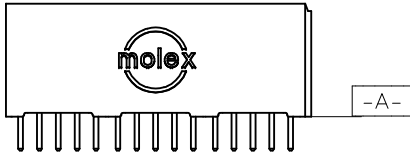
GENERAL TOLERANCES (UNLESS SPECIFIED)	mm	INCH
	4 PLACES ± ---	± ---
	3 PLACES ± ---	± ---
	2 PLACES ± 0.25	± ---
	1 PLACE ± 0.25	± ---
ANGULAR ± 1/2°		
DRAFT WHERE APPLICABLE MUST REMAIN WITHIN DIMENSIONS		

DIMENSION STYLE MM ONLY	
DRAWN BY MARGULIS	DATE 2003/11/11
CHECKED BY MARGULIS	DATE 2003/11/11
APPROVED BY MARGULIS	DATE 2003/11/11
SIZE A	THIS DRAWING CONTAINS INFORMATION THAT IS PROPRIETARY TO MOLEX INCORPORATED AND SHOULD NOT BE USED WITHOUT WRITTEN PERMISSION

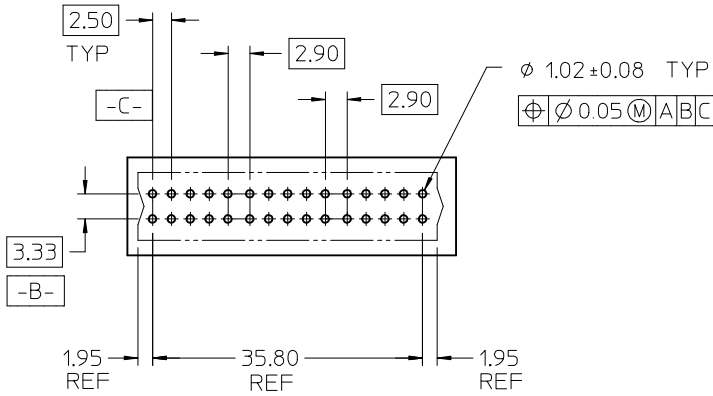
SCALE 1:1	DESIGN UNITS METRIC	THIRD ANGLE PROJECTION
TITLE POWER EDGE ASSEMBLY POWER VERTICAL SOLDER TAIL		
MOLEX INCORPORATED		
DOCUMENT NO. SD-45719-001	SHEET NO. 1 OF 3	



NOTES:
1. FOR ALL OTHER DIMENSIONS AND NOTES SEE SHEET 1.

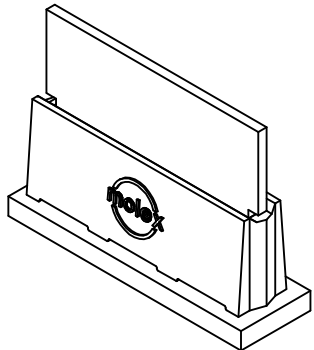


RECOMMENDED EDGE CARD LAYOUT
EDGE CARD TOLERANCE: ±0.05



PCB LAYOUT: COMPONENT SIDE

MATERIAL NUMBER	VOIDED SEGMENT	P	PCB THK
45719-0002	NONE	4.50	3.18
45719-3001	1		
45719-3002	2		
45719-3003	3		
45719-3004	1,2		
45719-3005	1,3		
45719-3006	2,3	3.63	2.36
45719-0005	NONE		
45719-3007	1		
45719-3008	2		
45719-3009	3		
45719-3010	1,2		
45719-3011	1,3	2.92	1.57
45719-3012	2,3		
45719-0008	NONE		
45719-3013	1		
45719-3014	2		
45719-3015	3		
45719-3016	1,2		
45719-3017	1,3		
45719-3018	2,3		



EC NO: UCP2009-2476	2009/04/07	DESCRIPTION
DRWN: JSCHAFFER	2009/04/07	
CHKD:	2009/04/07	
APPR: APATEL	2009/04/20	
E1	REV	

GENERAL TOLERANCES (UNLESS SPECIFIED)		
	mm	INCH
4 PLACES	± ---	± ---
3 PLACES	± ---	± ---
2 PLACES	± 0.25	± ---
1 PLACE	± 0.25	± ---
ANGULAR ±1/2°		
DRAFT WHERE APPLICABLE MUST REMAIN WITHIN DIMENSIONS		

DIMENSION STYLE	
MM ONLY	
DRAWN BY	DATE
MARGUL IS	2003/11/11
CHECKED BY	DATE
MARGUL IS	2003/11/11
APPROVED BY	DATE
MARGUL IS	2003/11/11
SIZE	A

SCALE 1:1	DESIGN UNITS METRIC	THIRD ANGLE PROJECTION
TITLE		
POWER EDGE ASSEMBLY POWER VERTICAL SOLDER TAIL		
molex MOLEX INCORPORATED		
DOCUMENT NO. SD-45719-001	SHEET NO. 2	
THIS DRAWING CONTAINS INFORMATION THAT IS PROPRIETARY TO MOLEX INCORPORATED AND SHOULD NOT BE USED WITHOUT WRITTEN PERMISSION		

6

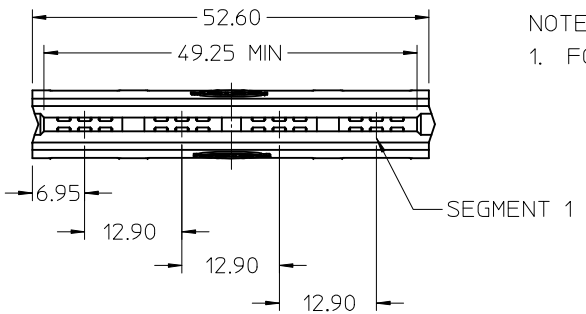
5

4

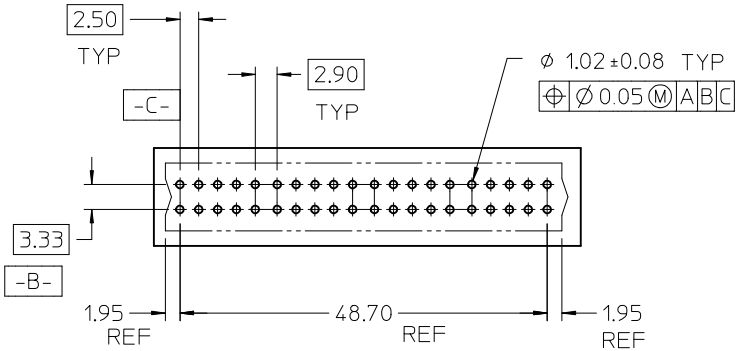
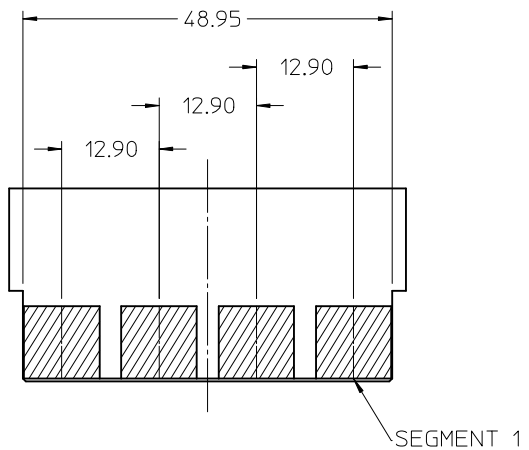
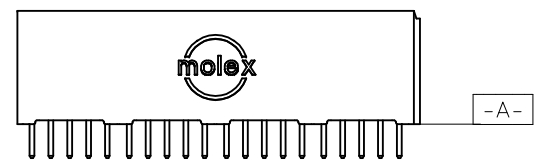
3

2

1



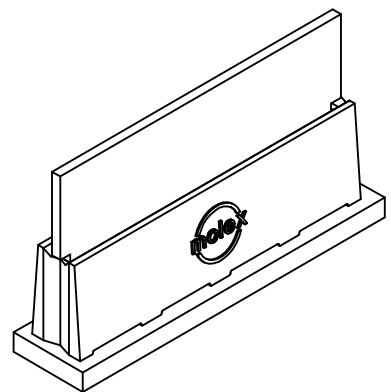
NOTES:
1. FOR ALL OTHER DIMENSIONS AND NOTES SEE SHEET 1.



PCB LAYOUT: COMPONENT SIDE

RECOMMENDED EDGE CARD LAYOUT
EDGE CARD TOLERANCE: ± 0.05

MATERIAL NUMBER	VOIDED SEGMENT	P	PCB THK
45719-0003	NONE	4.50	3.18
45719-4001	1		
45719-4002	2		
45719-4003	3		
45719-4004	4		
45719-4005	1,2		
45719-4006	1,3		
45719-4007	1,4		
45719-4008	2,3		
45719-4009	2,4		
45719-4010	3,4		
45719-0006	NONE	3.63	2.36
45719-4011	1		
45719-4012	2		
45719-4013	3		
45719-4014	4		
45719-4015	1,2		
45719-4016	1,3		
45719-4017	1,4		
45719-4018	2,3		
45719-4019	2,4		
45719-4020	3,4		
45719-0009	NONE	2.92	1.57
45719-4021	1		
45719-4022	2		
45719-4023	3		
45719-4024	4		
45719-4025	1,2		
45719-4026	1,3		
45719-4027	1,4		
45719-4028	2,3		
45719-4029	2,4		
45719-4030	3,4		



EC NO: UCP2009-2476	2009/04/07	DESCRIPTION
DRWN: JSCHAFFER	2009/04/07	
CHKD: APATEL	2009/04/20	
APPR: APATEL		
E1	REV	

GENERAL TOLERANCES (UNLESS SPECIFIED)		
	mm	INCH
4 PLACES	\pm ---	\pm ---
3 PLACES	\pm ---	\pm ---
2 PLACES	± 0.25	\pm ---
1 PLACE	± 0.25	\pm ---
ANGULAR $\pm 1/2^\circ$		
DRAFT WHERE APPLICABLE MUST REMAIN WITHIN DIMENSIONS		

DIMENSION STYLE	
MM ONLY	
DRAWN BY	DATE
MARGUL IS	2003/11/11
CHECKED BY	DATE
MARGUL IS	2003/11/11
APPROVED BY	DATE
MARGUL IS	2003/11/11
SIZE	
A	

SCALE	DESIGN UNITS	THIRD ANGLE PROJECTION
1:1	METRIC	
TITLE		
POWER EDGE ASSEMBLY POWER VERTICAL SOLDER TAIL		
molex MOLEX INCORPORATED		
DOCUMENT NO.	SHEET NO.	
SD-45719-001	3	
THIS DRAWING CONTAINS INFORMATION THAT IS PROPRIETARY TO MOLEX INCORPORATED AND SHOULD NOT BE USED WITHOUT WRITTEN PERMISSION		

5

4

3

2

1